

COMBINATION SQUARE SETS



2278-2

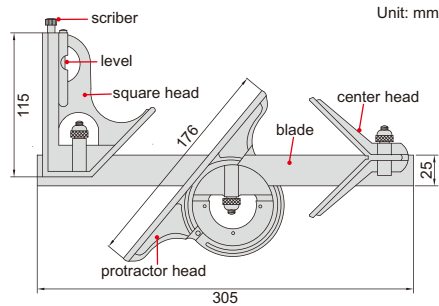


2278-3



2278-180

- **Center head (made of cast iron):**
To locate center of cylinder with diameter (Ød): 30-100mm
Accuracy: $\pm 0.15\text{mm}$
- **Protractor head (made of cast iron):**
To set the blade at desired angle to an edge of a workpiece, and can be used to measure angles
Range: 0-180°
Accuracy: $\pm 7\text{min}$.
- **Square head (made of cast iron):**
To set the blade at 90° or 45° to an edge of a workpiece
Accuracy: $\pm 8\text{min}$ for 90° square, $\pm 10\text{min}$ for 45° square
- **Blade (made of stainless steel):**
Range: 300mm/12",
Graduation: 0.5mm and 1/32" on front face, 1mm and 1/64" on back face
- **Optional accessory: rigid rule (code 7113)**



Code	Remark
2278-2	2-piece set
2278-3	3-piece set
2278-180	4-piece set

